

PVI00581EN_V01

Welding Machine

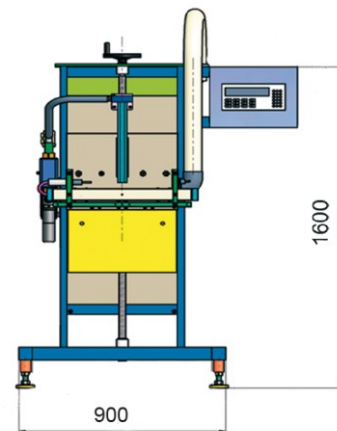
Mobile and movable

- Mobile and movable welding machines
- Manually height-adjustable for welding different containers
- Non-Ex and Ex version according to ATEX
- Headspace evacuation with and without N2 gas flushing
- Integration into existing packaging lines
- Integrated operator control for programming the process parameters
- One or more welding seams, version with separation seam
- For welding polyethylene, aluminium composite foils, paper composite, polyamide and polypropylene



Function

The mobile welding machine is manually adjustable in height and can perform one or more welding seams in one operation, or a welding separation seam.



Welding machine with lowerable lance for headspace evacuation.